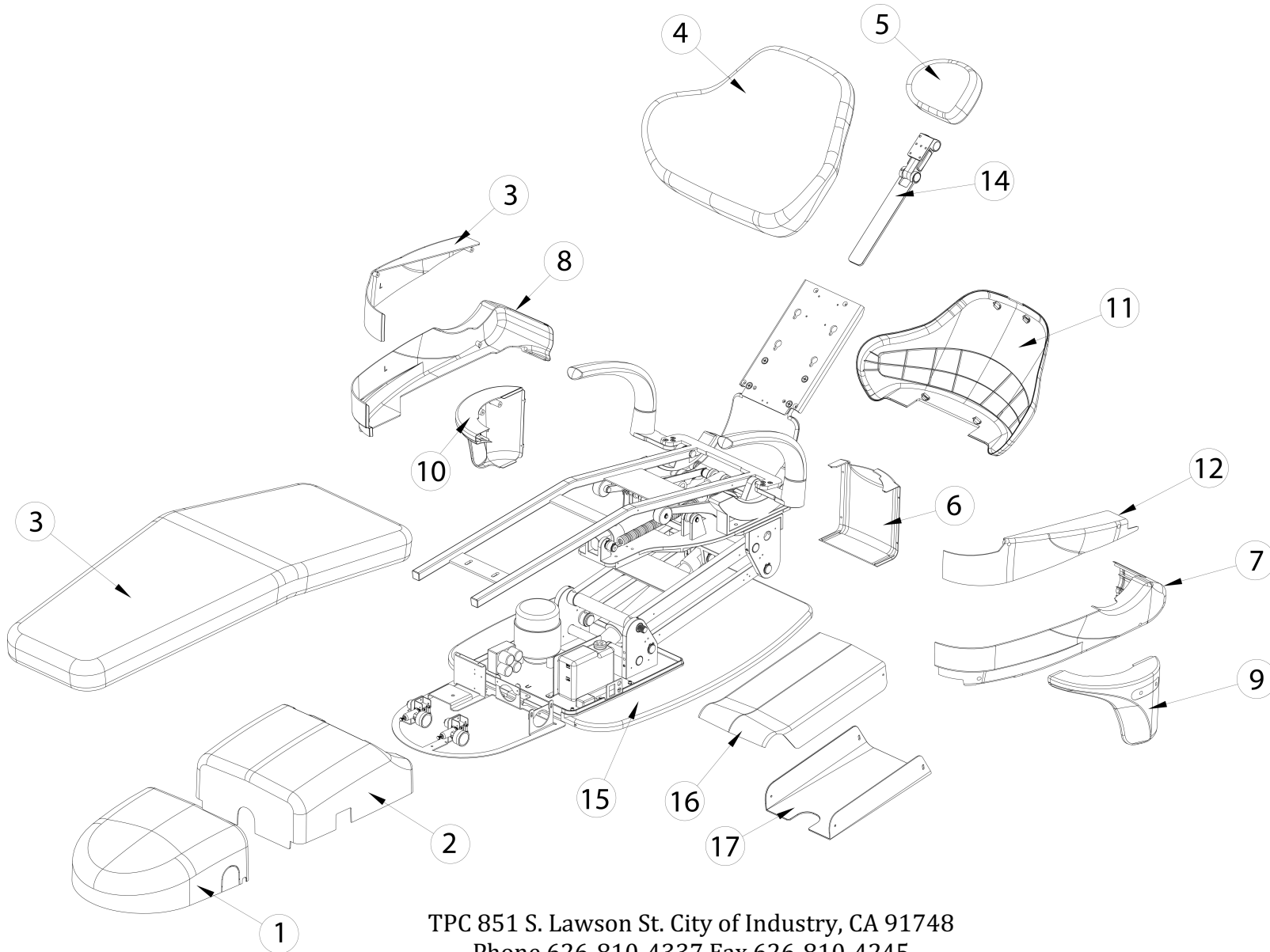




Mirage 2.0 Chair Parts List



TPC 851 S. Lawson St. City of Industry, CA 91748
Phone 626-810-4337 Fax 626-810-4245

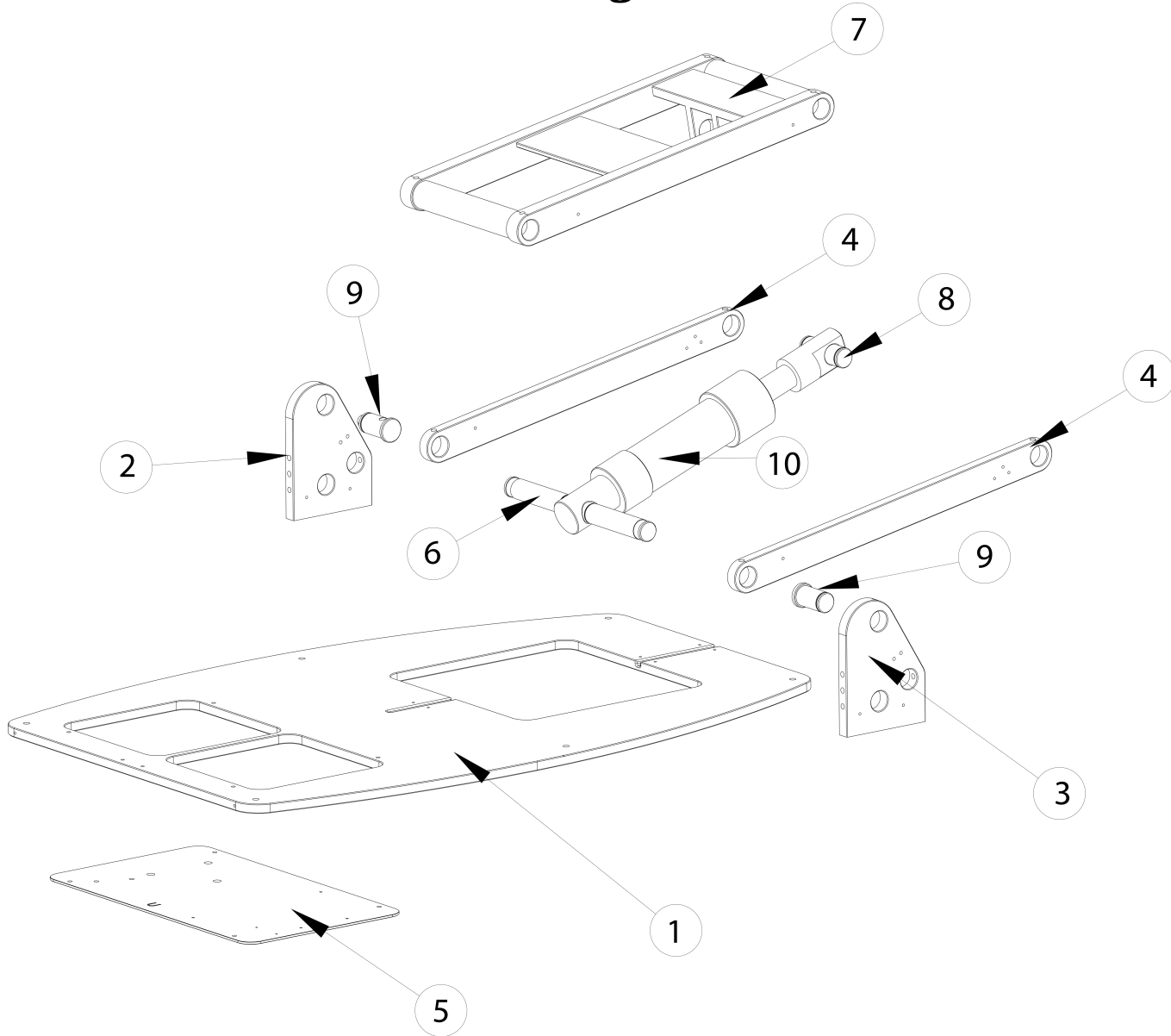


Mirage 2.0 Chair Parts List

No.	Description (L-R orientation from rear view of dental chair)	Part Number
1	Integrated Junction Box Cover	M42101
2	Chair Pump Cover	M42102
3	Seat Cushion	M42103
4	Backrest Cushion	M42104
5	Headrest Cushion	M42105
6	Rear Flange Cover	M42106
7	Left Side Middle Trim Cover	M42107
8	Right Side Middle Trim Cover	M42108
9	Lower Left Trim Cover	M42109
10	Lower Right Trim Cover	M42110
11	Backrest Cover	M42111
12	Upper Left Trim Cover	M42112
13	Upper Right Trim Cover	M42113
14	Headrest Stem	M42114
15	Chair Base Cover	M42115
16	Cantilever Top Cover	M42116
17	Cantilever Bottom Cover	M42117



Mirage 2.0 Chair Parts List



TPC 851 S. Lawson St. City of Industry, CA 91748
Phone 626-810-4337 Fax 626-810-4245



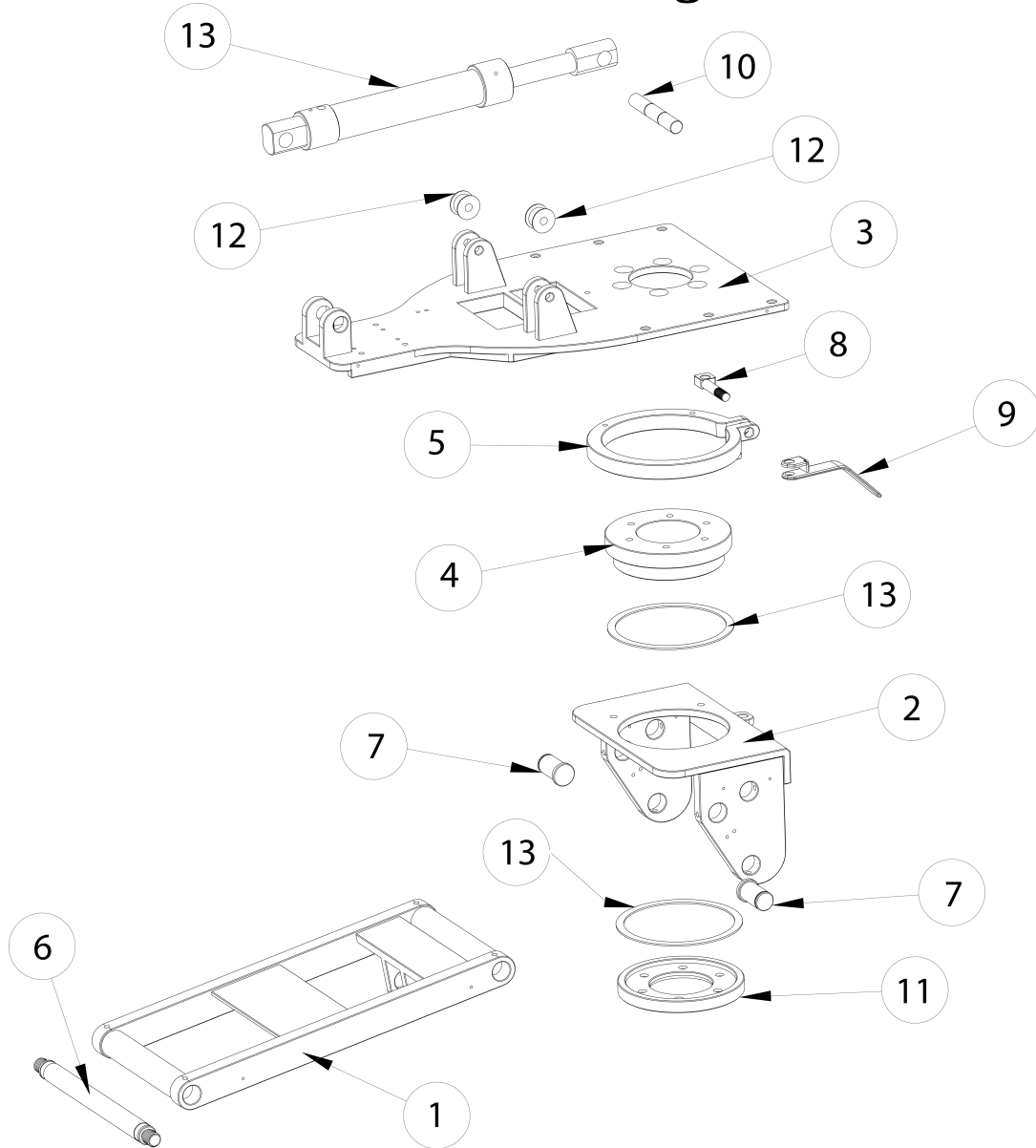
Mirage 2.0 Chair Parts List

No.	Description (L-R orientation from rear view of dental chair)	Part Number
1	Chair Steel Base	M42201
2	Right Side Support Hub	M42202
3	Left Side Support Hub	M42203
4	Right Support Arm	M42204
5	Left Support Arm	M42205
6	Lower Hydraulic Fastening Pin	M42206
7	Cantilever Assembly	M42207
8	Upper Hydraulic Fastening Pin	M42208
9	Connecting Bushing	M42209
10	Hydraulic Lift Cylinder	M42210

TPC 851 S. Lawson St. City of Industry, CA 91748
Phone 626-810-4337 Fax 626-810-4245



Mirage 2.0 Chair Parts List



TPC 851 S. Lawson St. City of Industry, CA 91748
Phone 626-810-4337 Fax 626-810-4245

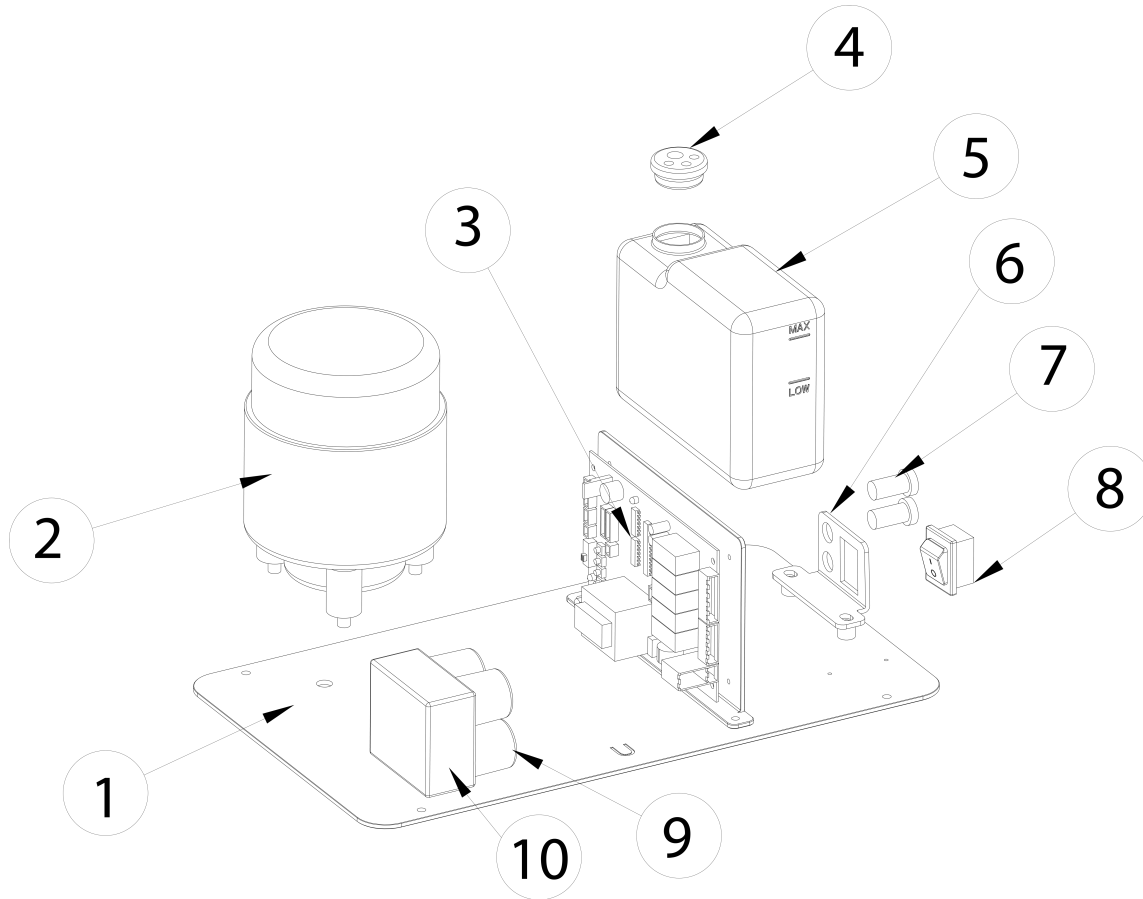


Mirage 2.0 Chair Parts List

No.	Description (L-R orientation from rear view of dental chair)	Part Number
1	Cantilever	M42251
2	Rotator Base	M42252
3	Upper Seat Frame	M42253
4	Upper rotator insert	M42254
5	Swivel Friction Collar	M42255
6	Cantilever Support Rod	M42256
7	Support Pin	M42257
8	Brake Quick Release	M42258
9	Break Lever	M42259
10	Backrest Hydraulic Pin	M42260
11	Lower Rotator Insert	M42261
12	Seat Pan Rollers	M42262
13	Hydraulic Backrest Cylinder	M42263



Mirage 2.0 Chair Parts List



TPC 851 S. Lawson St. City of Industry, CA 91748
Phone 626-810-4337 Fax 626-810-4245



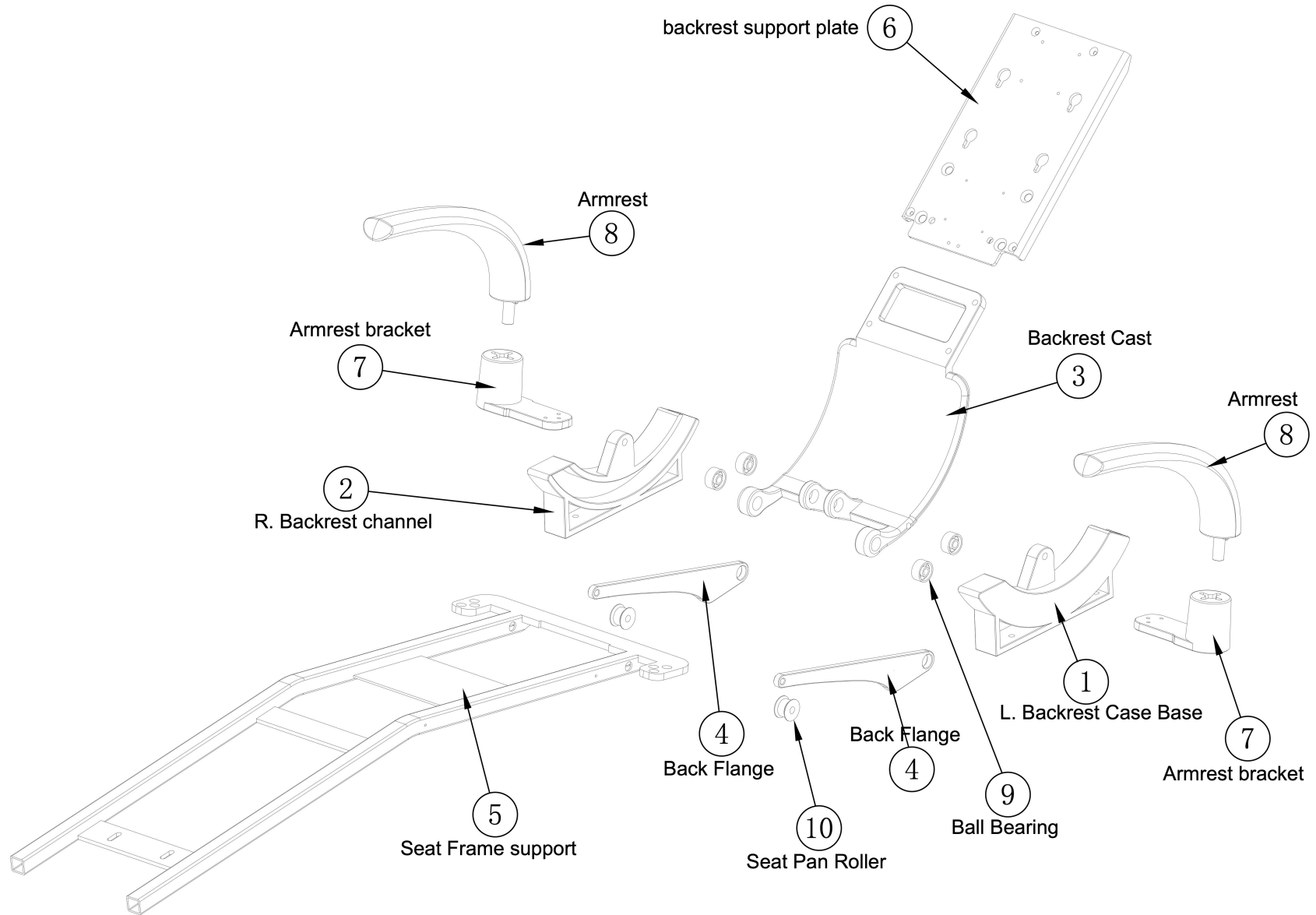
Mirage 2.0 Chair Parts List

No.	Description (L-R orientation from rear view of dental chair)	Part Number
1	Mounting plate	M42301
2	110V Hydraulic Motor	M42302
3	Main PCB 110V	M42303
4	Hydraulic Tank cap	M42304
5	Hydraulic Tank	M42305
6	Fuse / Power Switch bracket	M42306
7	Fuse Holder	M42307
8	Main Power Switch	M42308
9	110V Solenoid	M42309
10	Hydraulic Block	M42310

TPC 851 S. Lawson St. City of Industry, CA 91748
Phone 626-810-4337 Fax 626-810-4245



Mirage 2.0 Chair Parts List



TPC 851 S. Lawson St. City of Industry, CA 91748
Phone 626-810-4337 Fax 626-810-4245



Mirage 2.0 Chair Parts List

No.	Description (L-R orientation from rear view of dental chair)	Part Number
1	Left Backrest Cast Base	M42401
2	Right Backrest Cast Base	M42402
3	Backrest Cast	M42403
4	Backrest flange	M42404
5	Seat Frame	M42405
6	Backrest support plate	M42406
7	Armrest Bracket	M42407
8	Armrest	M42408
9	Ball Bearing	M42409
10	Set Pan roller	M42410

TPC 851 S. Lawson St. City of Industry, CA 91748
Phone 626-810-4337 Fax 626-810-4245